

Bullet Junction Box

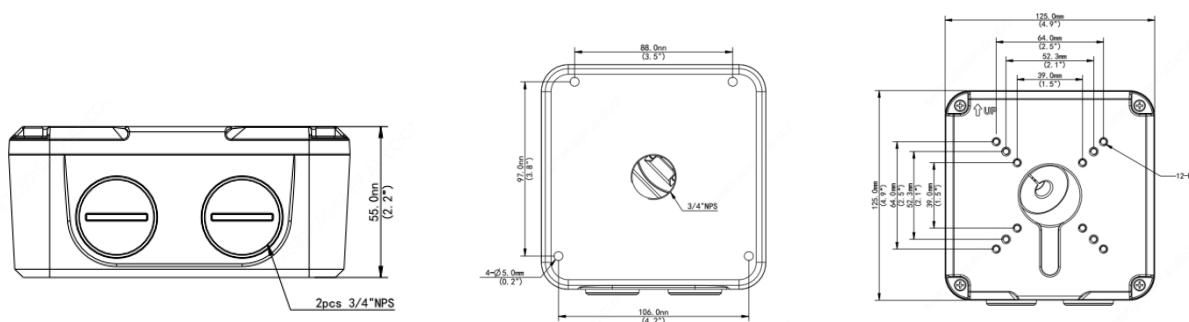
TR-JB07-D-IN



Specifications

| | |
|-------------|---|
| Bracket | TR-JB07-D-IN |
| Application | Outdoor or indoor cable junction box for IPC23XX/222X、IPC74X and IPC252/26X series(Extra back outlet) |
| Dimensions | Φ125mm*125mm*55mm (4.92" x4.92"x2.17") |
| Weight | 0.75kg(1.65lb) |
| Material | Aluminum alloy |

Dimension



www.uniview.com/uniarch

©2019 Zhejiang Uniview Technologies Co., Ltd. All rights reserved.

*Product specifications and availability are subject to change without notice.